

*Osmonics combines our rugged design of stainless steel membrane element housings with 30+ years of history in the applications of RO/NF/UF machine assembly.*

**8-inch Side Entry**

# Stainless Steel Membrane Housings

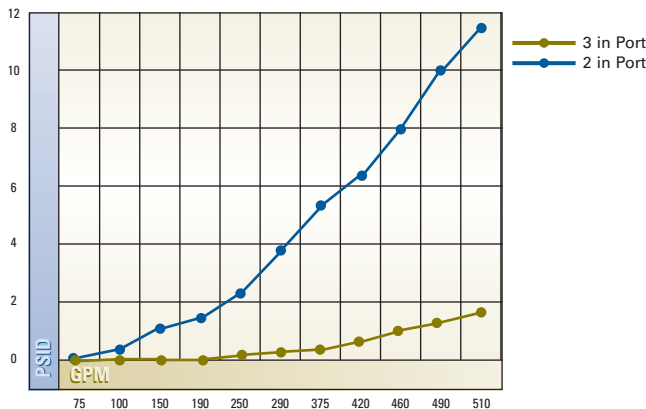
## Why Stainless Steel

- No seals involved in side port connections
- Unlike fiberglass, doesn't warp or weep
- Is not affected by UV rays or sunlight
- Stainless steel is a preferred and universally accepted material for water systems
- Can withstand high temperatures, up to 200° F
- Capable of supporting process piping
- During assembly, stainless housings are lighter and easier to handle than PVC and FRP housings with equivalent pressure ratings

## Options Available

- Grade .....304L Stainless Steel  
 .....316L Stainless Steel
- Side Ports .....2-inch port (standard)  
 .....3-inch port (optional)  
 .....Multi-port; (2" & 4" standard)  
 .....Tri-clamp (standard is Victaulic)
- Finishes .....Original steel mill finish (standard)  
 .....Painted with acrylic polyurethane paint in most colors (i.e., bright aluminum)  
 .....Electropolished for a glossy, shiny, metallic look
- Design Options .....Low Energy, (LE) made with Noryl\* end caps (300 & 400 psi)  
 .....High pressure made with 316 stainless steel end caps (600 psi)  
 .....Sanitary made with polished 316 stainless steel end caps

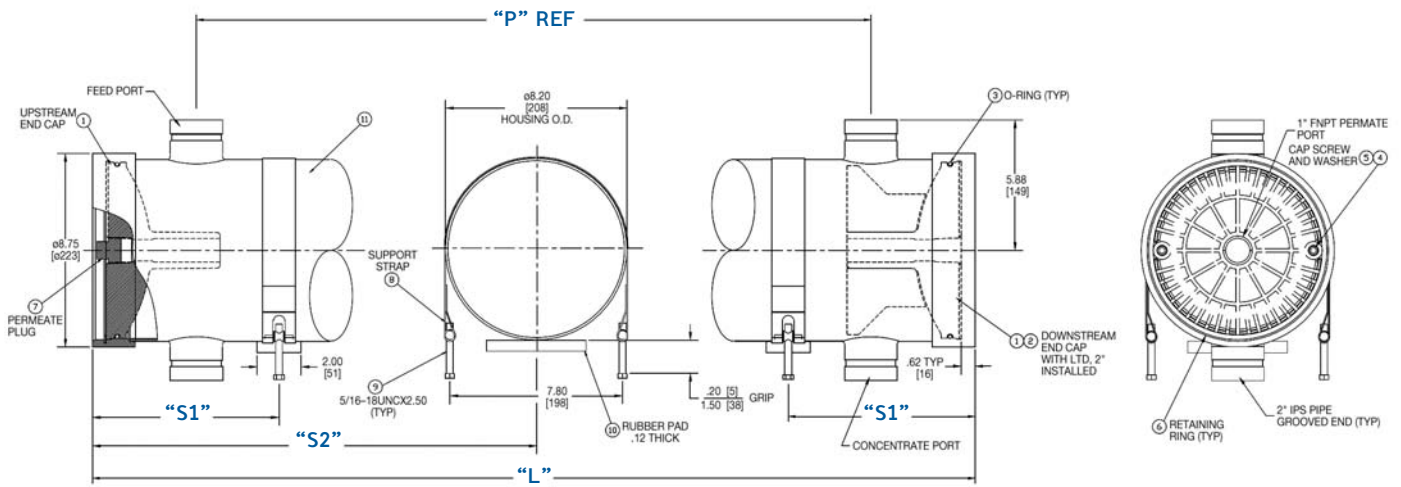
## Housing Pressure Drop Graph



\*Noryl is a registered trademark of General Electric Company  
 Note: End cap adapters are available for all major membrane element manufacturers

## Materials of Construction

- End Cap .....316 SS
- Retaining Ring .....302 SS
- Support Straps .....304 SS
- Mounting Pads .....Rubber
- O-ring .....Buna-N
- Housing Body .....304/304L or 316/316L SS
- Permeate Plug .....Nylon
- Cap Screws .....18-8 SS



Standard housing packages are available in 804P-300 (300 psi), 804P-450 (450 psi), 804P-600 (600 psi), and customized. The standard packages include: Housing body, end caps, load transfer device, closure devices, mounting saddles and straps.

HOUSING LENGTHS	L	P	S1	S2	EMPTY WEIGHT
# of Elements	inch (mm)	inch (mm)	inch (mm)	inch (mm)	lbs (kg)
2 – 8 x 40's	92.1 (2339)	82.8 (2103)	15.0 (381)	— —	106 (48)
3 – 8 x 40's	132.2 (3358)	122.8 (3119)	23.0 (584)	— —	139 (63)
4 – 8 x 40's	172.2 (4374)	162.9 (4138)	31.0 (787)	— —	172 (78)
5 – 8 x 40's	212.3 (5392)	202.9 (5154)	28.0 (711)	106.2 (2697)	205 (93)
6 – 8 x 40's	252.3 (6408)	243.0 (6172)	34.0 (864)	126.2 (3205)	238 (108)

\* "S1" and "S2" dimensions are the recommended housing support locations measured from each end of the housing. If there is no "S2" dimension, then no middle support is required (i.e., use the two end supports only).

SPECIFICATIONS	804P-300	804P-450	804P-600
Material	304 or 316 SS	304 or 316 SS	304 or 316 SS
Design	300 psi	450 psi	600 psi
40" Closure Kits	Noryl	Noryl and 316 SS	316 SS
Tested at	3 times design pressure	3 times design pressure	2.85 times design pressure
Tested cycles	100,000 cycles at design pressure	100,000 cycles at design pressure	100,000 cycles at design pressure
Operating Temperature Max	105° F	105° F	200° F
Element Capacity	2 – 6 long	2 – 6 long	2 – 6 long



Minnetonka Operations Registered

**For More Information:**

Call the Process Water Group at (952) 933-2277 or (800) 766-2599, or visit [www.osmonics.com](http://www.osmonics.com)



**OSMONICS**

**North American Sales**

5951 Clearwater Drive  
Minnetonka, MN  
55343-8995  
USA  
(952) 933-2277 Phone  
(952) 988-6060 Fax

**Euro/African Sales**

230 rue Robert Schuman  
ZA des Uselles  
77350 Le Mée sur Seine  
FRANCE  
+33 1 64 10 2000 Phone  
+33 1 64 10 3747 Fax

**Asian/Pacific Sales**

1044/8 SOI 44/2  
Sukhumvit Road Prakanong  
Bangkok 10110  
THAILAND  
+66 2 38 14213 Phone  
+66 2 39 18183 Fax