



# Professional Series Pressure Vessels

Fiberglass reinforced pressure vessels with polyethylene inner liner



imagination at work

# GE quality and excellence...

## Tough, corrosion resistant

- Pressure vessels are constructed of durable composite resin and reinforced with high-tensile strength filament windings.
- Resists corrosion and provides years of reliable service.
- Thermoplastic liners are made of high strength polyethylene.
- Liner wall thickness – 0.15" (3.8mm) up to 0.30" (7.6mm).

## Complete line

- Available up to 48" diameter and 72" height.
- Top opening standard; top and bottom openings available for 18"-48" diameter tanks.

## Better than steel

- Reinforced composite tanks are only one-third the weight of steel tanks and comparable in strength.
- Testing demonstrates that composite vessels offer significantly better performance than tanks with steel liners.

Valve not included.



## Easy installation, low maintenance

- Lightweight tank design makes installation fast and easy.
- Virtually no maintenance – tank liner requires no epoxy lining or painting.

## Superior quality

- Precision manufacturing methods and strict adherence to quality control processes ensure products meet the highest industry standards.
- Designed to the demanding quality standards of GE.

## Performance testing

- Burst testing up to four times the rated operating pressure.
  - Operating pressure: 150psi
- Cycle tested up to 250,000 times.
  - Cycle test: 10psi to 150psi
- Operating temperature:
  - 120°F (49°C)
  - 150°F (65°C) flange tanks



Component

All pressure vessels are tested and certified by NSF against the NSF/ANSI Standard 44 for material and structural integrity requirements only.

All the pressure vessels manufactured and corresponding adaptors and fittings meet the requirements of the Directive 2002/95/EC Restriction of Hazardous Substances (RoHS). The pressure vessels and the corresponding adaptors and fittings do not contain more than 0.1% of lead, mercury, chromium VI, PBB, PBDE, and no more than 0.01% of cadmium.

Available in natural, blue, almond, black, and gray colors

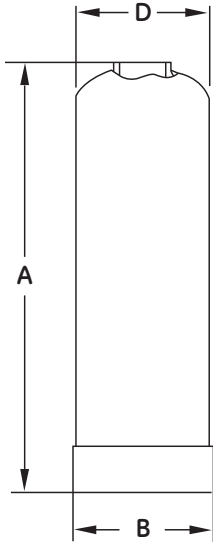
Tank Size	Volume		Weight (lbs.) Empty	Dome Hole Opening	Top Opening	Bottom Opening	Base	Dimensions (inches)*			
	Gallon	Cubic Foot						A	B	C	D
7x13	1.53	0.20	2.29	N/A	2.5" - 8NPSM	N/A	Standard	13.15	7.44	N/A	7.17
7x17	2.19	0.29	4.29	N/A	2.5" - 8NPSM	N/A	Standard	16.93	7.44	N/A	7.17
7x35	5.05	0.67	7.48	N/A	2.5" - 8NPSM	N/A	Standard	35.35	7.44	N/A	7.17
7x44	6.42	0.86	8.91	N/A	2.5" - 8NPSM	N/A	Standard	44.45	7.44	N/A	7.17
8x13	2.03	0.27	3.63	N/A	2.5" - 8NPSM	N/A	Standard	13.19	8.43	N/A	8.15
8x17	2.91	0.39	4.40	N/A	2.5" - 8NPSM	N/A	Standard	17.01	8.43	N/A	8.15
8x35	6.55	0.88	9.90	N/A	2.5" - 8NPSM	N/A	Standard	35.35	8.43	N/A	8.15
8x40	7.69	1.03	9.97	N/A	2.5" - 8NPSM	N/A	Standard	40.07	8.43	N/A	8.15
8x44	8.48	1.13	10.56	N/A	2.5" - 8NPSM	N/A	Standard	44.45	8.43	N/A	8.15
9x17	3.62	0.48	4.95	N/A	2.5" - 8NPSM	N/A	Standard	16.96	9.45	N/A	9.17
9x35	8.35	1.12	9.24	N/A	2.5" - 8NPSM	N/A	Standard	35.35	9.45	N/A	9.17
9x40	9.59	1.28	10.65	N/A	2.5" - 8NPSM	N/A	Standard	40.07	9.45	N/A	9.17
9x42	10.09	1.35	11.11	N/A	2.5" - 8NPSM	N/A	Standard	42.28	9.45	N/A	9.17
9x48	11.78	1.58	13.31	N/A	2.5" - 8NPSM	N/A	Standard	48.35	9.45	N/A	9.17
10x17	4.44	0.59	6.60	N/A	2.5" - 8NPSM	N/A	Standard	17.17	10.39	N/A	10.16
10x35	10.15	1.36	11.22	N/A	2.5" - 8NPSM	N/A	Standard	35.31	10.39	N/A	10.16
10x40	11.86	1.59	12.89	N/A	2.5" - 8NPSM	N/A	Standard	40.15	10.39	N/A	10.16
10x44	13.24	1.77	14.41	N/A	2.5" - 8NPSM	N/A	Standard	44.33	10.39	N/A	10.16
10x44	13.24	1.77	14.41	1-1/4" - 1-1/2" NPSM	2.5" - 8NPSM	N/A	Standard	44.33	10.39	N/A	10.16
10x47	14.27	1.90	15.29	N/A	2.5" - 8NPSM	N/A	Standard	46.85	10.39	N/A	10.16
10x54	16.49	2.20	17.38	N/A	2.5" - 8NPSM	N/A	Standard	54.57	10.39	N/A	10.16
10x54	16.49	2.20	21.23	1-1/4" - 1-1/2" NPSM	2.5" - 8NPSM	N/A	Standard	54.57	10.39	N/A	10.16
12x48	21.00	2.89	18.48	N/A	2.5" - 8NPSM	N/A	Standard	48.50	12.24	N/A	12.20
12x52	23.06	3.08	19.69	N/A	2.5" - 8NPSM	N/A	Standard	52.68	12.24	N/A	12.20
12x52	23.06	3.08	28.05	1-1/4" - 1-1/2" NPSM	2.5" - 8NPSM	N/A	Standard	52.68	12.24	N/A	12.20
13x44	22.40	3.00	18.48	N/A	2.5" - 8NPSM	N/A	Standard	45.08	13.31	N/A	13.31
13x54	27.93	3.73	23.76	N/A	2.5" - 8NPSM	N/A	Standard	55.03	13.31	N/A	13.31
13x54	27.93	3.73	30.49	1-1/4" - 1-1/2" NPSM	2.5" - 8NPSM	N/A	Standard	55.11	13.31	N/A	13.31
14x65	39.10	5.23	32.56	N/A	2.5" - 8NPSM	N/A	Standard	65.91	14.37	N/A	14.29
14x65	39.10	5.23	32.56	N/A	4" - 8UN	N/A	Standard	65.91	14.37	N/A	14.29
16x65	51.25	6.86	41.03	N/A	2.5" - 8NPSM	N/A	Standard	65.79	16.38	N/A	16.26
16x65	51.25	6.86	41.03	N/A	4" - 8UN	N/A	Standard	65.79	16.38	N/A	16.26
18x65	67.90	9.08	78.98	N/A	4" - 8UN	N/A	Standard	67.80	18.03	N/A	19.13
18x65	67.90	9.08	82.61	N/A	4" - 8UN	4" - 8UN	Tripod	79.80	18.03	13.66	19.13
18x65	68.96	9.22	88.00	N/A	6" - FLG	N/A	Standard	69.92	18.03	N/A	19.13
18x65	68.96	9.22	104.72	N/A	6" - FLG	6" - FLG	Tripod	81.85	18.03	11.50	19.13
21x62	87.19	11.66	90.42	N/A	4" - 8UN	N/A	Standard	67.76	20.55	N/A	21.65
21x62	87.19	11.66	106.81	N/A	4" - 8UN	4" - 8UN	Tripod	81.26	20.55	15.51	21.65
21x62	87.19	11.66	103.40	N/A	6" - FLG	N/A	Standard	70.20	20.55	N/A	21.61
21x62	87.19	11.66	122.32	N/A	6" - FLG	6" - FLG	Tripod	83.78	20.55	13.35	21.61
24x72	124.97	16.71	112.20	N/A	4" - 8UN	N/A	Standard	75.39	23.62	N/A	24.65
24x72	124.97	16.71	121.00	N/A	4" - 8UN	4"-8UN	Tripod	85.35	23.62	11.81	24.65
24x72	129.72	17.35	124.30	N/A	6" - FLG	N/A	Standard	77.83	23.62	N/A	24.57
24x72	129.72	17.35	142.12	N/A	6" - FLG	6" - FLG	Tripod	87.64	36.14	9.65	24.57
30x72	184.15	24.63	188.54	N/A	4" - 8UN	N/A	Standard	72.28	30.51	N/A	30.71
30x72	184.15	24.63	198.55	N/A	4" - 8UN	4"-8UN	Tripod	84.21	30.31	13.19	30.71
30x72	178.07	23.82	197.12	N/A	6" - FLG	N/A	Standard	74.61	30.51	N/A	30.67
30x72	178.07	23.82	220.22	N/A	6" - FLG	6" - FLG	Tripod	86.57	30.31	11.02	30.67
36x72	267.11	35.72	254.10	N/A	4" - 8UN	N/A	Standard	73.07	36.61	N/A	36.93
36x72	267.11	35.72	270.60	N/A	4" - 8UN	4" - 8UN	Tripod	84.53	36.69	13.46	36.93
36x72	256.27	34.28	257.40	N/A	6" - FLG	N/A	Standard	75.55	36.61	N/A	36.65
36x72	256.27	34.28	291.72	N/A	6" - FLG	6" - FLG	Tripod	87.28	36.69	11.30	36.65
42x72	345.57	46.20	374.00	N/A	6" - FLG	6" - FLG	Tripod	87.56	40.87	11.34	42.28
48x72	442.54	59.17	462.00	N/A	6" - FLG	6" - FLG	Tripod	87.60	46.14	11.61	48.30

\*See back page for dimensional drawings.

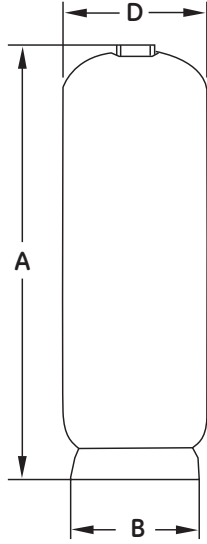
**System manufactured by:**

North American Sales  
5730 N. Glen Park Road  
Milwaukee, WI  
53209-4403  
USA  
(262) 238-4400 Phone  
(262) 238-4404 Fax

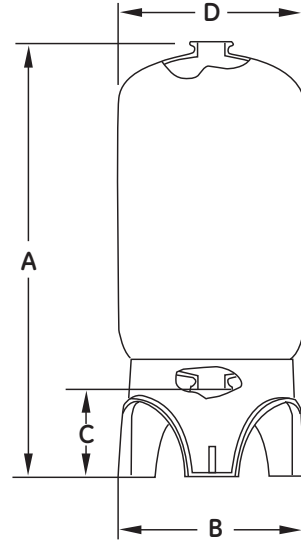
For More Information:  
Call GE  
Water & Process Technologies;  
Residential & Commercial Group  
(262) 238-4400 or  
(800) 279-9404,  
or visit [www.gewater.com](http://www.gewater.com)



**8" - 12"  
Standard Base**



**13" - 36"  
Standard Base**



**18" - 48"  
Tripod Base**

**NOTE:** Refer to chart on previous page for vessel dimensions.



©2007, General Electric Company.  
Printed in USA, P/N 1264660 Rev. B